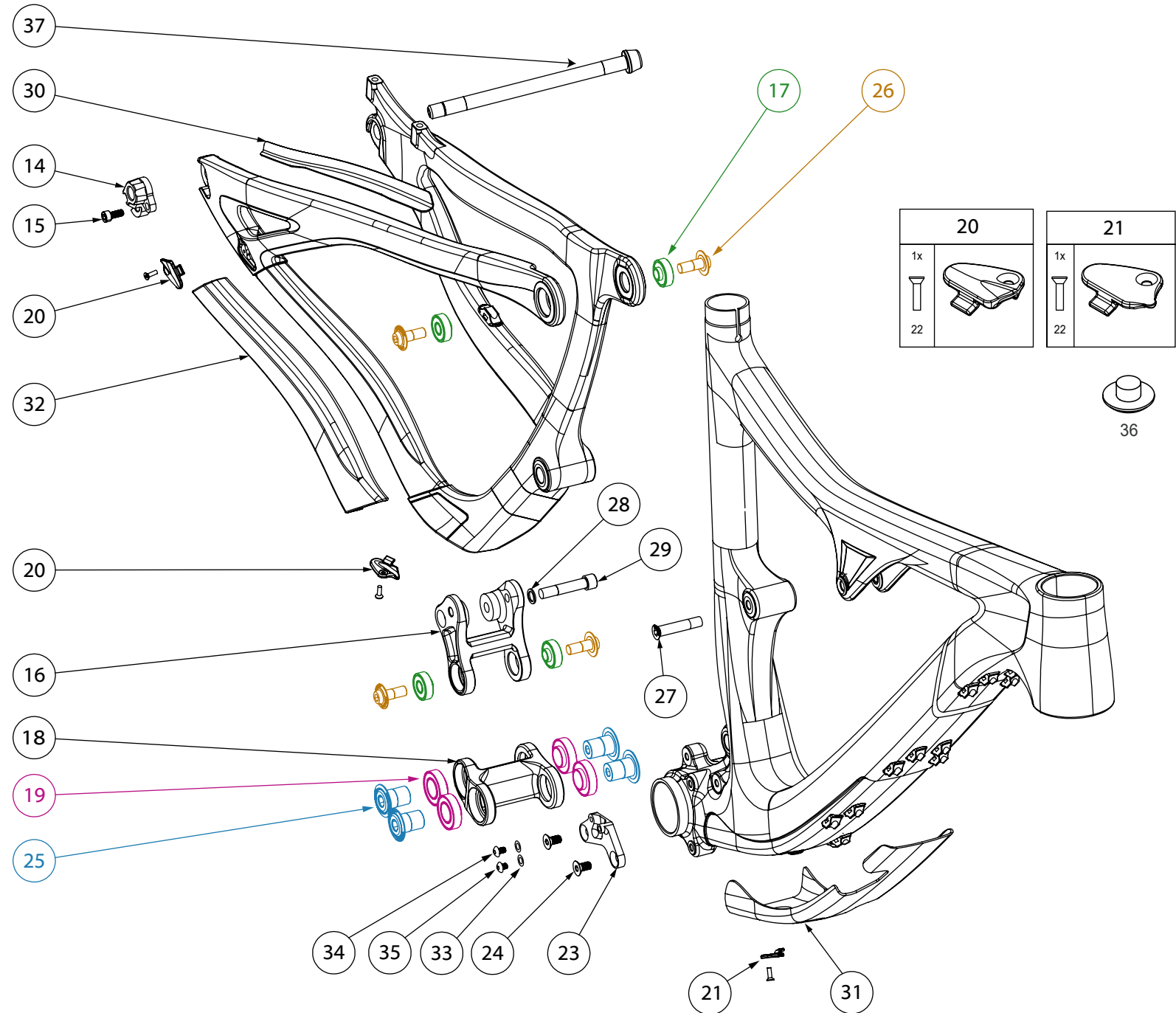


MACH 429 C TL

NUMBER	PART NAME	DESCRIPTION	Torque	*
14	FP-RDH-TA-12MM-BLK-V1	REAR DERAILLEUR HANGER THROUGH AXLE 12MM BLACK V1		
15	FP-SCW-SCK-M5*10	SCREW SOCKET 5X10	7 Nm (5 lb-ft)	□
16	FP-LNK-UL-55MM-V2-R1	LINK UPPER 55MM VER2 REV1		
17	FP-BRG-608-LLUMAXE	608 LLU MAX-E		
18	FP-LNK-LL-BLK-V4-R1	LINK LOWER BLACK VER4 REV1		
19	FP-BRG-6902-LLUMAXECN	6902 LLU MAX-E CN		
20	FP-CLM-MECH-FRM-V1	CLAMP MECHANICAL FRAME		
21	FP-CVR-MECH-FRM-V2	COVER MECHANICAL FRAME V2		
22	FP-SCW-FLT-M3*10	SCW FLAT 3X10		
23	FP-FDM-ETYPE-V2-R1	FD MOUNT E TYPE V2 REV1		
24	FP-SCW-FLT-M6*12	FLATHEAD SCREW M6 x 12L	10 Nm (7 lb-ft)	□
25	FP-BLT-M14*20-BLK-V2	BOLT 14*20 BLACK V2	35 Nm (27 lb-ft)	□
26	FP-BLT-M8*20-BLK	BOLT 8X20 BLACK	13 Nm (10 lb-ft)	□
27	FP-BLT-M8*38-BLK	BOLT 8X38 BLACK	13 Nm (10 lb-ft)	●
28	FP-WSH-81*120*1W	WASHER 81 X 120 X 1W		
29	FP-BLT-M8*40-BLK	BOLT 8X40 BLACK	13 Nm (10 lb-ft)	□
30	M429CTL SEATSTAY GUARD	M429CTL SEATSTAY GUARD		
31a	M429CTL DT GUARD S	M429CTL DT GUARD S		
31b	M429CTL DT GUARD M-XL	M429CTL DT GUARD M-XL		
32	M429CTL CHAINSTAY GUARD	M429CTL CHAINSTAY GUARD		
33	FP-WSH-51*100*1W	WASHER 51 X 100 X 1W		□
34	FP-SCW-BTN-M5*12	SCREW BUTTON 5X12	3 Nm (26 in-lb)	□
35	FP-SCW-BTN-M5*10	SCREW BUTTON 5X10	3 Nm (26 in-lb)	
36	FP-PLG-MNT-6MM	PLUG MOUNT 6MM		
37	148MM THROUGH AXLE	148MM THRU AXLE W/ WASHER		



* ○ = grease ● = anti-seize ◐ = anti-seize or grease □ = loctite 243