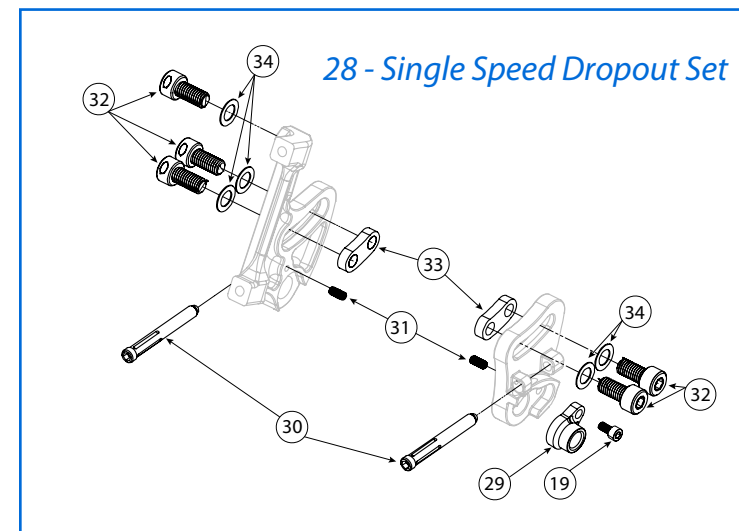
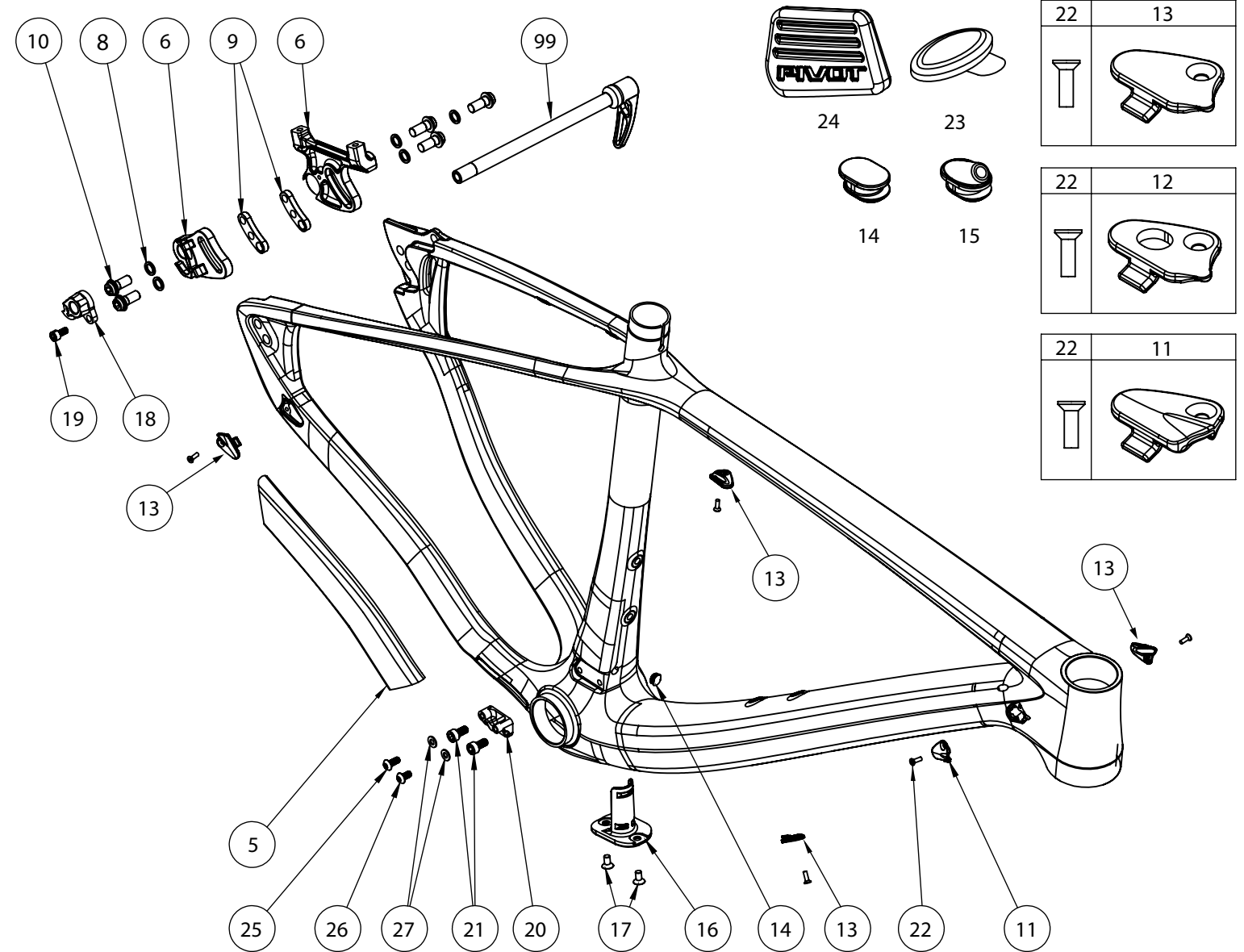


LES 29 V2

NUMBER	PART NAME	DESCRIPTION	Torque	*
5	LESV2 CHAINSTAY GUARD	Les V2 Chainstay Protector		
6	FP-DRO-SWINGER-DS/NDS-V2-R1	Les V2 Swinger Dropout Bodies		
8	FP-WSH-81*140*1.5W	M8x1.5 Dropout Washer		
9	FP-NUT-SWINGER-SET-V2-R1	Single Position Dropout Full Locknut (Geared)		
10	FP-SCW-SCK-M8*18-V2	M8x18 Dropout Bolt	13 Nm (10 lb-ft)	○
11	FP-CLM-MECH-FRM-V1	Internal Routing Cable Clamp		
12	FP-CLM-DI2-FRM-V1	Internal Routing Di2 Clamp		
13	FP-CVR-MECH-FRM-V2	Internal Routing Hole Cover		
14	FP-PLG-DI2-7*8*2.5	7x8mm Di2 Plug		
15	FP-GDE-DI2-7*8*2.5*2.5	7x8mm Di2 Wire Guide		
16	FP-CVR-DI2-DT-V1	Di2 Downtube Battery Holder		
17	FP-SCW-FLT-M5*10	M5x10 Di2 DT Battery Cover Screws		
18	FP-RDH-TA-12MM-BLK-V1	Rear Derailleur Hanger 12mm TA		
19	FP-SCW-SCK-M5*10	M5x10 Rear Derailleur Hanger Screw	7 Nm (5 lb-ft)	□
20	FP-FDM-ETYPE-V1-R1	E-type Front Derailleur Mount (Hardtail)		
21	FP-SCW-SCK-M6*12	M6x12 E-type FDM Screw	10 Nm (7 lb-ft)	□
22	FP-SCW-FLT-M3*10	M3x10 Cable Clamp Screw (Included w/ Clamp)		
23	FP-PLG-MECH-5.5MM	5.5mm Rubber Cable Plug		
24	FP-CVR-FDM-ETYPE-V1	Front Derailleur Mount Frame Cover		
25	FP-SCW-BTN-M5*12	M5x12 E-type FD Mounting Screw		
26	FP-SCW-BTN-M5*10	M5x10 E-type FD Mounting Screw		
27	FP-WSH-51*100*1W	M5 E-type FD Mounting Washers		
28	FP-DRO-SWINGER-SET-V2-R2	Les V2 SS Dropout 148x12 (SS Kit)		
29	FP-RDH-NUT-12MM-BLK-V1	Rear Derailleur Hanger SS Nut 12mm TA		
30	FP-SCW-SCK-M6*55	M6x55 Swinger V2 Adjustment Screw (SS Kit)		
31	FP-SCW-SET-M4*8	M4x8 Swinger V2 Set Screw (SS Kit)		
32	FP-SCW-SCK-M8*18	M8x18 Swinger V2 Locknut Bolt (SS Kit)	15 Nm (11 lb-ft)	○
33	FP-NUT-SWINGER-SET-V1-R1	Swinger Position Dropout Locknut Set		
34	FP-WSH-81*140*1.5W	M8x1.5 Dropout Washer		
99	148MM THROUGH AXLE	148x12mm RWS Thru Axle		



* ○ = grease ● = anti-seize ◐ = anti-seize or grease □ = loctite 243