

DMR Drone and Reptoid bottom bracket tool

Dimensions:

- a) 94mm Long
- b) 31mm OD
- c) 24.5mm ID
- d) 63mm Deep

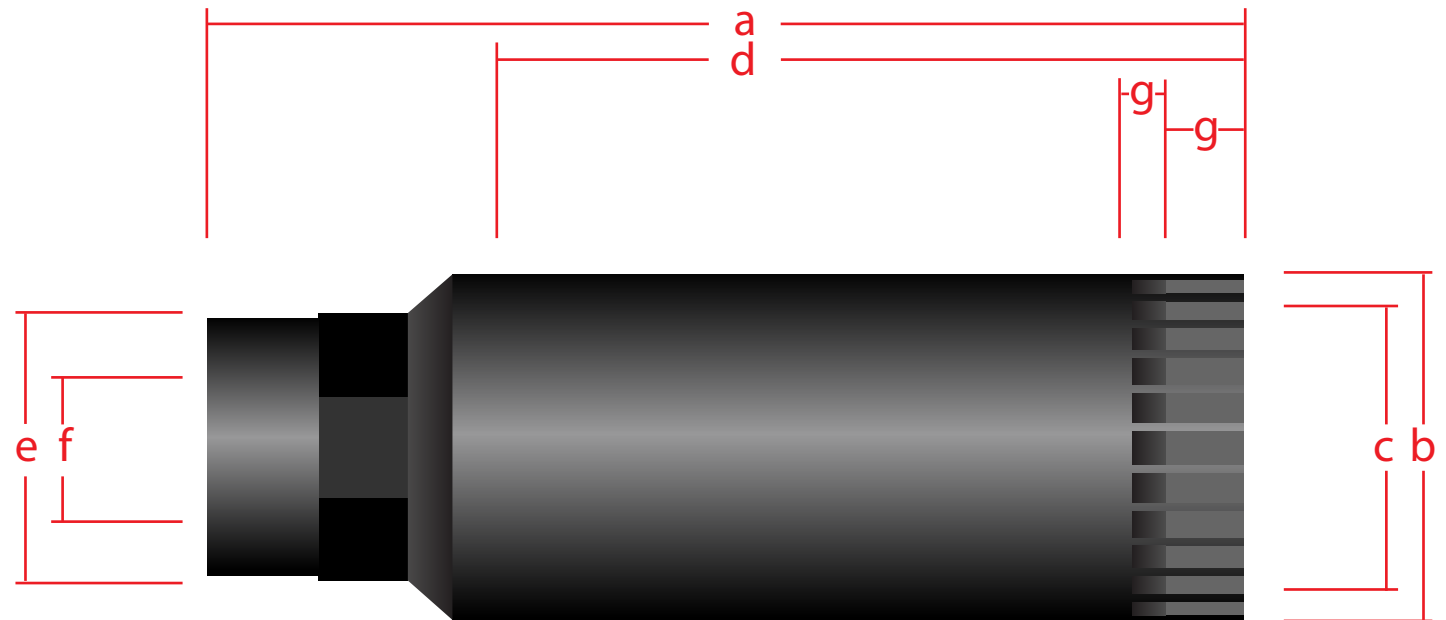
Tools Required:

Either;

- e) 24mm spanner
- f) 1/2" drive ratchet

Tool fitting:

- 20 tooth
- g) Each tooth is; 2mm wide / 7mm deep / 3mm pitched shoulder



Drawing not to scale